

OPTRONICS

Wipes, Tissue

Cleaning Kits



Fibre Optic Contact Cleaner

Buds, Sticks

CLEANING & CONSUMABLES

About Optronics

OPTRONICS

Optronics is one of the largest manufacturers of fibre optic interconnect products in the world.

Optronics designs, manufactures and markets fibre optic interconnect products and systems for use in enterprise and telecommunications applications.

In 1994, Optronics was acquired, a company founded in 1975 at the outset of fibre optic communications technologies.

Optronics branded products are readily available worldwide from our network of Authorised Distributors.

Optronics has manufacturing facilities in China and Europe. Its principal fibre optic cable assembly manufacturing site has fully integrated cable jacketing, connector and cable assembly fabrication facilities. The Company expects to undertake in excess of 18 million fibre optic terminations in the current year. Optronics has also comprehensive capabilities in fibre management products and complements its range patch cords, pigtails and high core count pre-terminated assemblies with an extensive range of fibre optic patch panels, wall boxes and splice boxes (unloaded or customised).



Lately, new manufacturing investments in High Density Fibre connectivity means the company can supply assemblies to customers directly from Europe as well as from the Far East. In addition to our activities in the Far East and the USA, Optronics has established a new company in the UAE (Dubai) to better serve our customers in that region.



UK Rapid Response & Production Facilities

Chinese Production Facility



Optronics USA

Optronics UK

Optronics Dubai

Optronics China

Contents

OPTRONICS CLEANING AND CONSUMABLES

Lint Free Tissue	4
IPA Wipes	6
Foam Buds	8
Fibre Optic Cleaning Kits (UK)	10
Fibre Optic Cleaning Kits (NON UK)	12
Fibre Optic Contact Cleaner	14
Fibre Optic Preparation Fluid	16
Fibre Optic MPO / MTP® Cleaner	18

OTHER BRANDS

KIMWIPES	13
MICROCARE	13
CLETOP	13
POLISHING MACHINES	13
CURING OVEN	13
POLISHING FILMS	13





> Lint Free Tissue



> IPA Wipes



> Foam Buds



> Micro Fibre Sticks

Cleaning and Consumables

Cleaning and Consumables

> Cleaning Kits



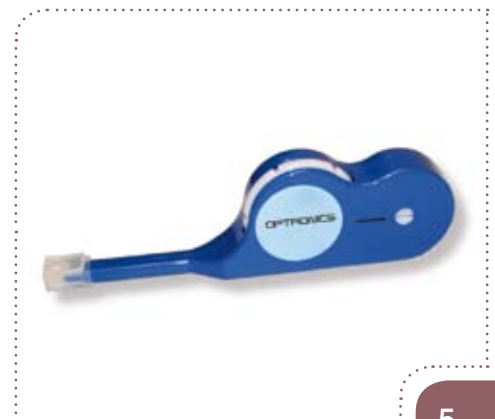
> Fibre Optic Contact Cleaner



> Fibre Optic Preparation Fluid



> Fibre Optic MPO / MTP® Cleaner



Cleaning Tissues and Buds



LOW LINT TISSUE	PACK SIZE	PART NO.
Low Lint Tissues	100	CLEANTISSUE/100/Z
Low Lint Tissues	400	CLEANTISSUE/400/Z

Low Lint tissues are a versatile consumable for many applications. They are primarily used to clean bare fibre as part of the termination or splicing process. The low lint characteristic allows them to be used for a multitude of other purposes, such as cleaning optical equipment and preparing work surfaces.

- > Super fast absorbency
- > Can be used dry or with fluid
- > Leaves reduced lint / fluff / dust particles
- > Removes and absorbs dirt / grease / water / chemicals
- > Tear resistant
- > Strong non woven material
- > Material: 44% wood pile tissue & 56% Terylene
- > Size: 100mm x 100mm
- > Thickness: 0.05mm
- > Absorbency rate: 560%
- > Absorbency speed: 5 seconds
- > Class:10000



IPA WIPES	PACK SIZE	PART NO.
IPA Saturated Wipes	50pcs	CLEANWIPES/Z

The Optronics pre-saturated wipes contain 99% pure IPA (isopropyl alcohol). The wipe material is made from a high quality, non-abrasive, low lint fabric. They can efficiently remove dust, grease, oil, flux, soils and other contaminants or residues from substrates prior to bonding such as bare optical fibre during a termination or splicing process.

- > High absorbance and liquid retention
- > Strong and tear proof
- > Resistant to vigorous use
- > Safe on plastics
- > Rapid evaporation
- > Zero residue
- > Non-abrasive
- > Low lint fabric
- > Ideal for cleaning bare optical fibre.
- > Low lint saturated wipe
- > 99% pure Isopropyl Alcohol
- > Wipe Size: 157mm x 176mm
- > Sachet Size: 63mm x 59mm x 5mm
- > PH: Neutral
- > Evaporation Rate: 1.9

FOAM BUDS	PACK SIZE	PART NO.
2.5mm Foam Buds	100 pcs	CLEANBUDS/Z

Foam buds are the ideal consumable for cleaning bulkheads after installation. They are used to clean the end faces of installed connectors, from inside the enclosure. The snug fit from the foam head will also remove any contaminants found inside the adaptor.

- > Fast absorbency
- > Can be used dry or with fluid
- > Efficient removal of contaminants
- > Leaves no lint/fluff/dust particles
- > Removes and absorbs dirt/grease/water/chemicals
- > Works with all 2.5mm adaptors: SC, SC2, FC, ST, DIN, D4.MT
- > Material: Polyurethane
- > Thickness: 0.05mm
- > Absorb speed: 6-8 seconds
- > Class: 10000
- > Size: 68mm x 2mm (body) / 9mm x 3mm (head)



MICRO FIBRE STICKS	PACK SIZE	PART NO.
1.25mm Micro Fibre Sticks	100 pcs	CLEANSTICK/Z

Micro fibre sticks are the ideal consumable for cleaning 1.25mm bulkheads after installation. They can be used to clean the end faces of installed connectors, from inside the enclosure. Cleaning is achieved by inserting the micro fibre tip inside the adaptor's aperture and twisting once. The micro fibre material allows the user to clean installed connector end faces without scratching the surface, and ensures a perfect clean first time.

- > Fast absorbency
- > Can be used dry or with fluid
- > Efficient removal of contaminants
- > Leaves no lint/fluff/dust particles
- > Removes and absorbs dirt/grease/water/chemicals
- > Works with 1.25mm adaptors: LC, MU
- > Material: Micro fibre, antistatic
- > Thickness: 0.05mm
- > Absorb speed: 6-8 seconds
- > Class: 10000
- > Size: 10mm x 4mm (body) 13mm x 2mm (head)





The Optronics fibre optic cleaning kits combine all the best and most widely used products in one simple to use package. They contain all the necessary products to competently and professionally clean fibre optic installations. With 3 levels of kit available it's easier to choose the right one for the application.

Technical Specifications

PRODUCT DESCRIPTION	LEVEL 1	LEVEL 2	LEVEL 3	PART NO.
Lint Free Cleaning Tissues	100 pieces	100 pieces	100 pieces	CLEANTISSUE/Z
2.5mm Foam Cleaning Buds	100 pieces	100 pieces	100 pieces	CLEANBUDS/Z
1.25mm MicroFibre Cleaning Sticks	100 pieces	100 pieces	100 pieces	CLEANSTICK/Z
IPA Cleaning Wipes	10 pieces	10 pieces	10 pieces	CLEANWIPES/Z
FibreCare Connector Cleaning Fluid	1 piece	1 piece	1 piece	FCC03M/Z
Pure Air Duster (UK Only)	--	1 piece	1 piece	CLEANAIR/Z
FibreCare Fibre Preparation Fluid	1 piece	1 piece	1 piece	FPF03M/Z
CletoP-S Type B Cassette Cleaner	--	1 piece	1 piece	14110611/Z
Test Fibre Inspection Scope 200x	--	--	1 piece	OPT-FHS-200X-B/Z
Soft Black Carry Case	1 piece	1 piece	1 piece	OPT-SOFTCASE-B/Z

Features and Advantages

- > High quality products
- > 3 levels depending on user application
- > Products available individually for kit refill
- > Provided in a soft carry case

Ordering Information

DESCRIPTION	PART NO.
Level One Cleaning Kit	CLEANKIT-L1/Z
Level Two Cleaning Kit	CLEANKIT-L2/Z
Level Three Cleaning Kit	CLEANKIT-L3/Z



The Optronics fibre optic cleaning kits combine all the best and most widely used products in one simple to use package. They contain all the necessary products to competently and professionally clean fibre optic installations. With 3 levels of kit available it's easier to choose the right one for the application.

Features and Advantages

- > High quality products
- > 3 levels depending on user application
- > Products available individually for kit refill
- > Provided in a soft carry case

Ordering Information

DESCRIPTION	PART NO.
Optronics Fibre Optic Cleaning Kit N°1	CLEANKIT-L1/Z
Optronics Fibre Optic Cleaning Kit N°2	CLEANKIT-L2/EU/Z
Optronics Fibre Optic Cleaning Kit N°3	CLEANKIT-L3/EU/Z

Technical Specifications

PRODUCT DESCRIPTION	LEVEL 1	LEVEL 2	LEVEL 3	PART NO.
Lint Free Cleaning Tissues	100 pieces	100 pieces	100 pieces	CLEANTISSUE/Z
2.5mm Foam Cleaning Buds	100 pieces	100 pieces	100 pieces	CLEANBUDS/Z
1.25mm MicroFibre Cleaning Sticks	100 pieces	100 pieces	100 pieces	CLEANSTICK/Z
IPA Cleaning Wipes	10 pieces	10 pieces	10 pieces	CLEANWIPES/Z
FibreCare Connector Cleaning Fluid	1 piece	1 piece	1 piece	FCC03M/Z
FibreCare Fibre Preparation Fluid	1 piece	1 piece	1 piece	FPF03M/Z
CletoP-S Type B Cassette Cleaner	--	1 piece	1 piece	14110611/Z
Test Fibre Inspection Scope 200x	--	--	1 piece	OPT-FHS-200X/Z
Soft Black Carry Case	1 piece	1 piece	1 piece	OPT-SOFTCASE-B/Z



This high-purity optical-grade solvent is a versatile cleaner. It removes light oils, salts, moisture, skin oils, dust, lint, polishing media, uncured epoxies and even flux residues. It is safe on glass, plastics, metals, cured epoxies and circuit boards but not safe for plastic optical fibre.

Connector Cleaner II is a strong solvent that dries quickly and without residues. The dense solvent "floats" particulate off surfaces.

Electrically conductive, the solvent dissipates static charges which bind particulate to end-faces. Non-flammable, non-toxic and non-corrosive, it is reliable, easy and safe to use in virtually any environment. This Connector Cleaner can be used to flush contamination from inside alignment sleeves or optical test equipment adaptors, and delivers wet/dry cleaning when sprayed on to FibreWipes™.

FibreAide™ wipes or other fibre optic cleaning tools.

The hermetically-sealed container uses the unique Triton™ 3-way dispensing system, the most versatile packaging system in the industry. The sealed canister also prevents refilling and cross-contamination ensuring clean solvent every time. The canister also is "TravelSAFE™" — that is, the pump spray is "non-hazardous, non-regulated" so it can be shipped, even by air, without extra paperwork or hazmat fees. With over 400 cleanings per canister, Fibre Connector Cleaner II is a great cleaning choice during installations and repairs.

Technical Specifications

PRODUCT DESCRIPTION	VALUE
Chemical Family	HPC Solvent
Appearance	Clear Colourless Liquid
Odeur	Slight, Ethereal
Boiling Point	45°C
Flammability	Nonflammable
RoHS and WEEE Compliant	
Snap Approved	

Features and Advantages

- > Fast-Drying Optical Grade Solvent
- > Cleaning Sticks
- > Dissipates Static Charges from Connector End-faces
- > Non-hazardous Chemistry Makes Shipping Easy, Saves Money

Ordering Information

DESCRIPTION	PART NO.
Fibre Connector Cleaning Fluid 3.oz Pump Bottle	FCC03M/Z



This optical-grade solvent is double-filtered for purity, so cleaning is more consistent and reliable. It delivers excellent results removing light oils, salts, moisture, fingerprints, dust, lint, fibres, grime, polishing media, flux residues and uncured epoxies. This versatile cleaner is safe on glass, metal, cured epoxies, and insulators; it is generally safe on plastics except plastic optical fibres (see Precision Optical Cleaner under "Related Products").

The Fibre Prep Fluid out-cleans IPA because it is a stronger solvent and it dries faster. The dense solvent "floats" particulate off surfaces and dissipates static bonds. This makes it perfect for "Wet/Dry" cleaning of connector endfaces.

When terminating or fusion splicing, it cleans both single-strand and ribbon fibre and "squeaks" when the fibre is clean.

The hermetically-sealed container uses the unique Triton™ 3-way dispensing system, the most versatile packaging system in the industry. The spill-proof, sealed canister also prevents refilling and cross-contamination, ensuring clean solvent every time. The canister also is "TravelSAFE™" that is, the pump spray is "nonhazardous, nonregulated" so it can be shipped, even by air, without extra paperwork or hazmat fees. With over 400 fast and reliable cleanings per canister, Fibre Prep Fluid reduces installation cleaning costs to only pennies.

Features and Advantages

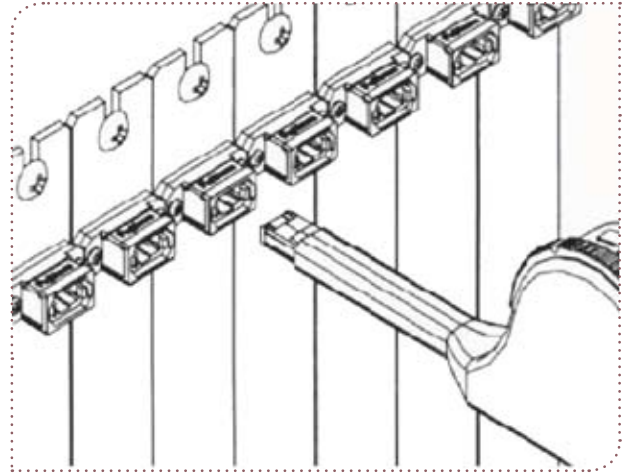
- > Nonhazardous Optical-Grade Solvent
- > Ideal for "Wet/Dry" Connector End-Face Cleaning
- > Ideal for Cleaning Bare Fibre
- > Safe on Glass, Metal, Epoxies and Circuit Boards
- > Dissipates Static Charges
- > Easy Shipping - Nonhazardous
- > Formulation Avoids Hazmat Issues

Technical Specifications

PRODUCT DESCRIPTION	VALUE
Chemical Family	HPC Solvent
Appearance	Clear Colourless Liquid
Odeur	Slight, Alcohol
Boiling Point	54°C
Flammability	Nonflammable
RoHS and WEEE Compliant	

Ordering Information

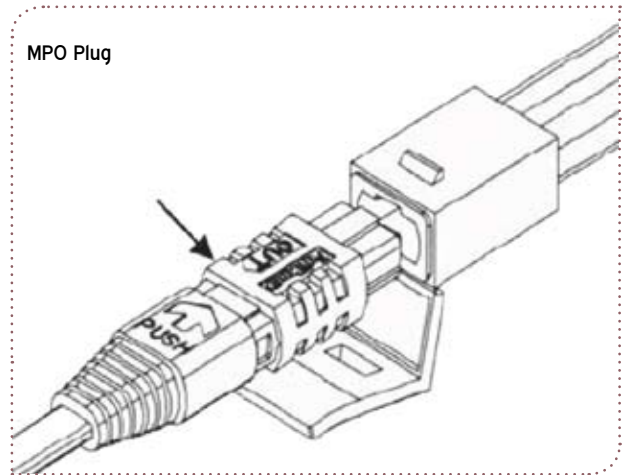
DESCRIPTION	PART NO.
Fibre Preparation Fluid 3.oz Pump Bottle	FPF03M/Z



The MPO / MTP® cleaner is a high-performance device designed for cleaning the ferrule endfaces of MPO / MTP® connectors. This tool cleans the fibre endface without the use of alcohol, cleaning all 12 fibres at once.

Features and Advantages

- > Intermateability with FOCIS-5 (MPO)
- > Capable of cleaning MPO / MTP® ferrules inside or outside an MPO / MTP® adaptor
- > Capable of cleaning ferrules with or without guide pins
- > 500 cleanings



Ordering Information

DESCRIPTION	PART NO.
MPO Cleaner	MPOCLEANER1/Z

Other Cleaning Brands

KIMWIPES



MICROCARE



CLETOP



Production equipment

POLISHING MACHINES



CURING OVEN



POLISHING FILMS



Other

Our research and development facilities provide us with the engineering expertise for any project. Please contact us for if you have any prospective products requiring design manufacture or testing, within a short lead time.

