

### MTP® Fan-Out Cable Assemblies

Optronics MTP® ruggedized fan-out assemblies route multifibre MTP® connection into discreet connectors. They are used to directly interconnect MTP® cassettes, panels or backbone MTP® assemblies with the active equipment, saving costly data centre rack space and easing fibre management.

MTP® fan-out assemblies are offered in fibre types in standard 12, 24 or 48 core versions using a compact and rugged microcable structure. The compact cables optimize cableway use and improve airflow.

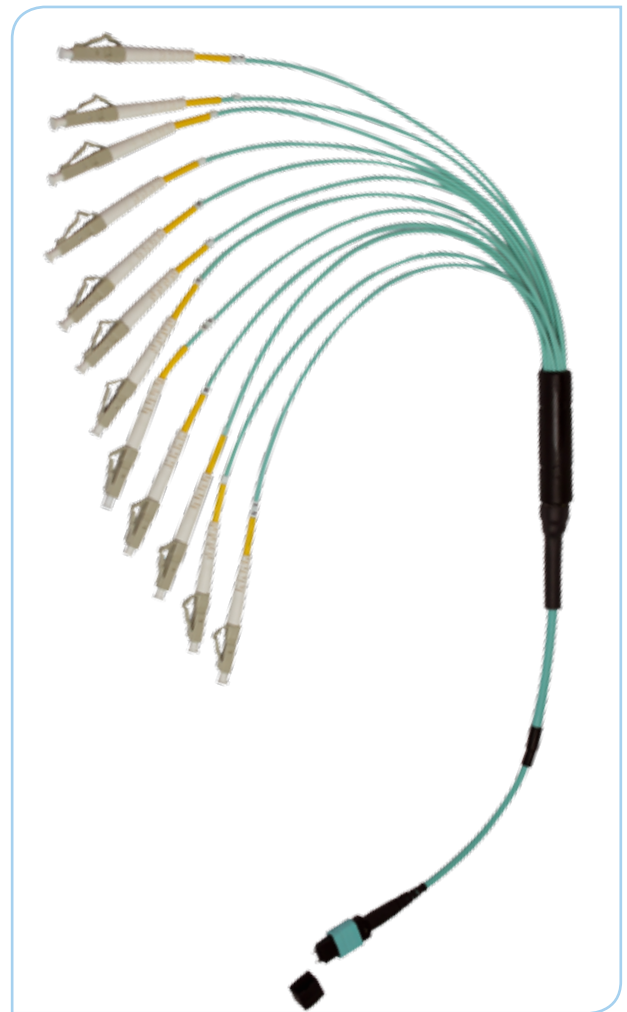
Optronics MTP® fan-out are built with highest quality components. Standard MTP® as well low loss Elite versions are offered featuring low insertion loss for demanding high speed networks where power budgets are critical.

#### Features

- > OS1/2, OM3, OM4 fibre versions (OM1 and OM2 available)
- > 12, 24 and 48 core microcable trunk assemblies
- > LSZH, OFNP cable jacket
- > Female or Male MTP® connectors
- > Factory terminated and tested

#### Benefits

- > **MTP® Interface-** MTP® US Conec brand components feature superior optical and mechanical properties.
- > **Optimised Performance** - low loss MTP® Elite, discreet Premium connectors and OM4 fibre assures low insertion losses and power penalties in tight power budget high speed network environment.
- > **High Density-** ruggedized fan-out allows for direct connection between backbone and active equipment eliminating rack space usage
- > **Rapid Deployment-** factory terminated modular system saves installation and reconfiguration time during moves, adds and changes.
- > **Reliability-** 100% tested- combination of high quality components and Optronics manufacturing quality control guarantees product to the highest standards.



#### Technical Specification

- > Data Centre Infrastructure
- > Storage Area Network- Fibre Channel
- > Parallel Optics & Infiniband
- > Emerging 40 and 100Gbps Protocols

#### Standards Compliance

- > TIA/EIA-568-C.3 and ISO/IEC 11801
- > IEC-61754-7 & EIA/TIA-604-5
- > NFPA 262 (OFNP) or IEC 60332 (LSZH)
- > IEC-61754-20 (LC) & IEC-61754-14 (SC)
- > IEC-60793
- > Compliant to Directive 2002/95/EC (RoHS) and REACH SvHC

#### Connector Performance

CONNECTOR MATING	IL AVERAGE	IL MAX	RETURN LOSS
MTP® Elite (MM)	0.10 dB	0.35 dB	NA
MTP® (MM)	0.20 dB	0.60 dB	NA
LC, SC (MM)	0.15dB	0.30dB	NA
LC, SC Premium (MM)	0.08dB	0.15dB	NA

CONNECTOR MATING	IL AVERAGE	IL MAX	RETURN LOSS
MTP® Elite (SM)	0.10 dB	0.35 dB	>60dB
MTP® (SM)	0.25 dB	0.75 dB	>60dB
LC, SC (SM)	0.18dB	0.25dB	>55/65dB*
LC, SC Premium (SM)	0.12dB	0.30dB	>55/65dB*

\* UPC/APC

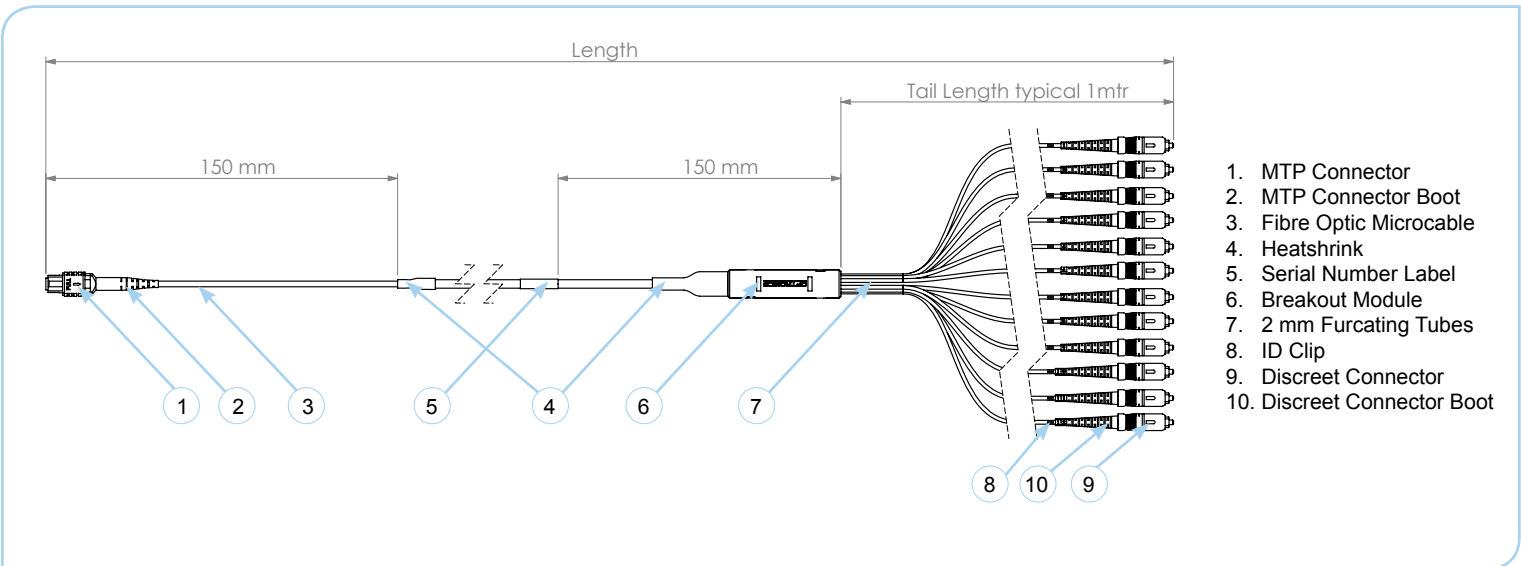
#### Cable Performance

FibreType (ISO/IEC 11801)	OS1/OS2	OM1	OM2	OM3	OM4
Attenuation Coefficient [dB/km]	≤ 0.38 Max (1300nm) ≤ 0.25 Max (1300nm)	≤ 3.5 Max (850nm) ≤ 1.5 Max (1300nm)	≤ 3.5 Max (850nm) ≤ 1.5 Max (1300nm)	≤ 3.5 Max (850nm) ≤ 1.5 Max (1300nm)	≤ 3.5 Max (850nm) ≤ 1.5 Max (1300nm)
	≤ 0.34 Typ (1550nm) ≤ 0.19 typ (1550nm)	≤ 2.9 Typ (850nm) ≤ 1.2 typ (1300nm)	≤ 2.7 Typ (850nm) ≤ 0.9 typ (1300nm)	≤ 2.7 Typ (850nm) ≤ 0.9 typ (1300nm)	≤ 2.7 Typ (850nm) ≤ 0.9 typ (1300nm)
Minimum Bandwidth: Overfilled Launch [Mhz-km]	NA	≥ 200 (850nm) ≥ 500 (1300nm)	≥ 500 (850nm) ≥ 500 (1300nm)	≥ 1500 (850nm) ≥ 500 (1300nm)	≥ 3500 (850nm) ≥ 500 (1300nm)
Minimum Bandwidth: Laser Effective Modal Bandwidth [Mhz-km]	NA	NA	NA	≥ 2000 (850nm)	≥ 4700 (850nm)

MTP is a registered trademark of US Conec Ltd

### Technical Specification

Element	Characteristic
Fibre	OS1/OS2, OM1*, OM2*, OM3, OM4 (ISO/IEC 60793)
Cable	Microcable- 12, 24, 48 cores (ISO/IEC 60794) MAX OD: Max OD 12 cores 4.5 ± 0.3mm / Max OD 24 cores 4.5 x 7.4 ± 0.3mm Jacket material: LSZH, OFNP Jacket colour: Violet (OM3), Aqua (OM3, OM4), Yellow (OS1/OS2)
Connectors	MTP® US Conec (IEC-61754-7 & EIA/TIA-604-5) Boot Colour: Black Body Sleeve Colour: MM (Beige), MM Elite (Aqua), SM (Green), SM Elite (Yellow) LC or SC (IEC 61754-20) Boot Colour: White Housing Color: Beige (MM), Blue (SM), Green (SM/APC)
Packaging	Length < 50m – PE bag / Length > 50m – Drum
Operating Temperature	-10 ~ +60°C
Storage Temperature	-40 ~ +70°C



### Part Number Generator

Connector END A		Gender A		Fibre count	Connector END B		Fibre type		Cable length (m)	Colour		Jacket Type		/Z	
MTP® standard	MTP	Female	F		LC	LC	OS1/OS2	09		Aqua	AQ	LSZH	-		
MTP® Elite®	MTPE	Male	M	24	SC	SC	OM1	62	XX	Purple	PU	OFNP	PL		
				48			OM2	50		Orange	OR				
							OM3	OM3							
							OM4	OM4							

### Example Part Number

**MTPF12LCOM3DF16AQ/Z**

This part number has created a 16 metres 12 core MTP female to LC OM3, Jacket colour Aqua LSZH ruggedized fan-out.